

## auto electrical parts

### Technical Information Sheet

#### Part No. 0-381-55 ~ 95

Durite Thermal Circuit Breakers 'push to reset' single pole circuit breaker based on snap-acting bimetallic thermal sensing element system. Accurately sensing overload conditions and interrupting the flow of current. The resettable actuator mechanism then remains disengaged until manually reset. Current ratings from 3A to 45A.

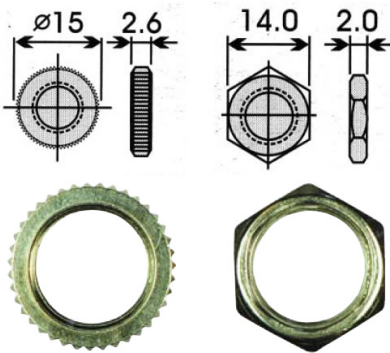
#### Additional Information

Range available:

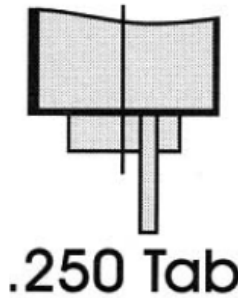
- 0-381-55 = 5 amp    0-381-80 = 30 amp
- 0-381-60 = 10 amp    0-381-85 = 35 amp
- 0-381-65 = 15 amp    0-381-90 = 40 amp
- 0-381-70 = 20 amp    0-381-95 = 45 amp
- 0-381-75 = 25 amp    0-381-99 = Dust Cap

#### Technical Drawing

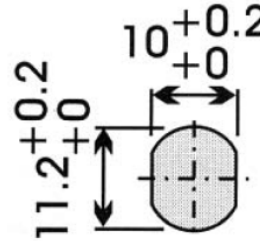
Knurlnut      Hexnut



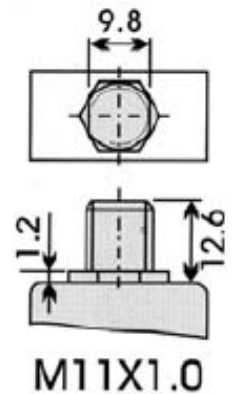
Straight Terminal Type



Panel Hole



Bushing Type



#### Specification

Interrupting Capacity	1000 A
Resettable Overload Capacity	10 times rated current
Reset Time	Minimum 1 minute
Dielectric Strength	1,500 Vac 1 minute
Insulation Resistance	100 MΩ
Voltage Drop	Less than 0.25V
Temperature Rise at Terminal Block	Less than 65°C (117°F)
Certifications	CE, UL, VDE (upto 16 A)

The information contained in this document is correct to the best of our knowledge at the time of printing. However, specifications may change at any time without notice.



#### Trip Curves

